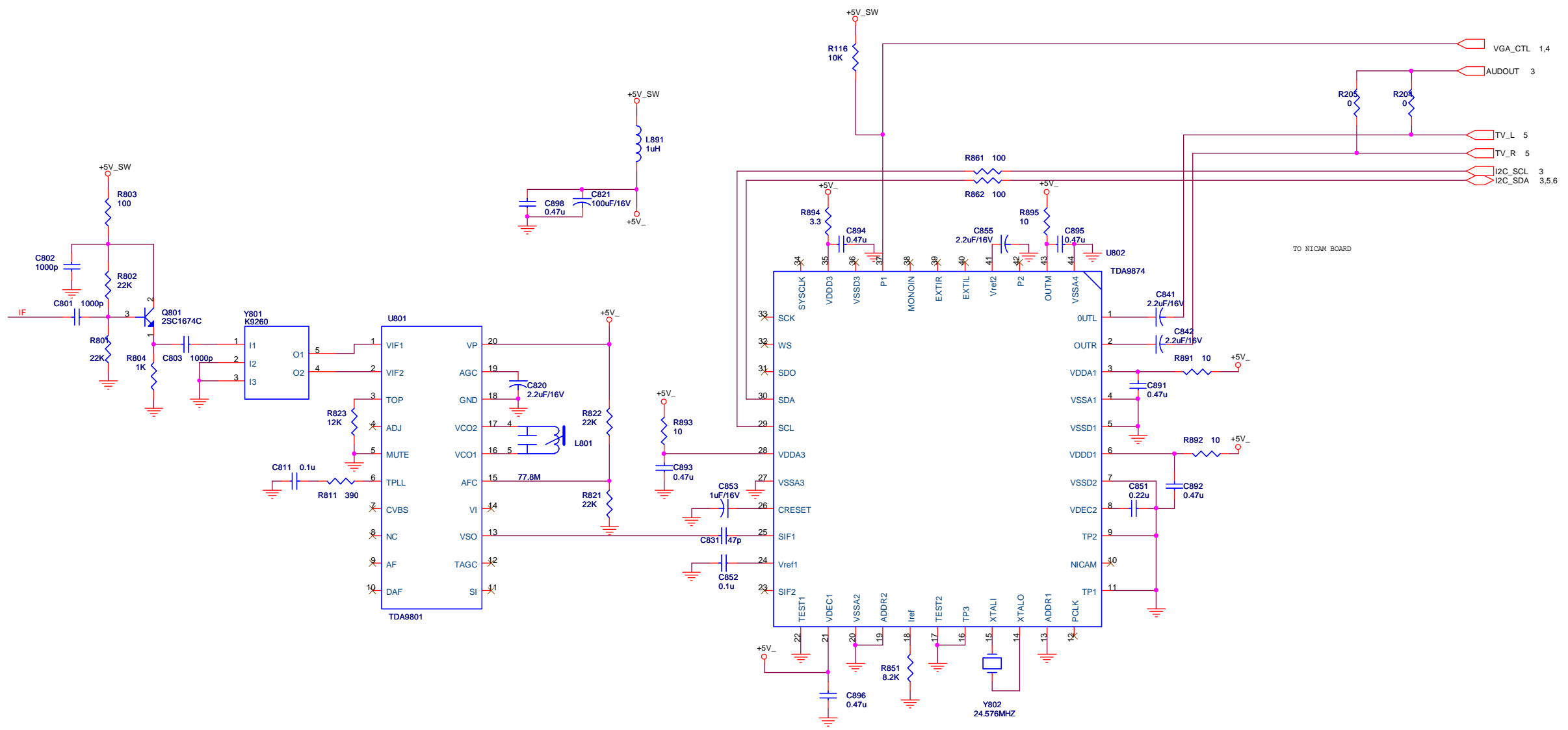


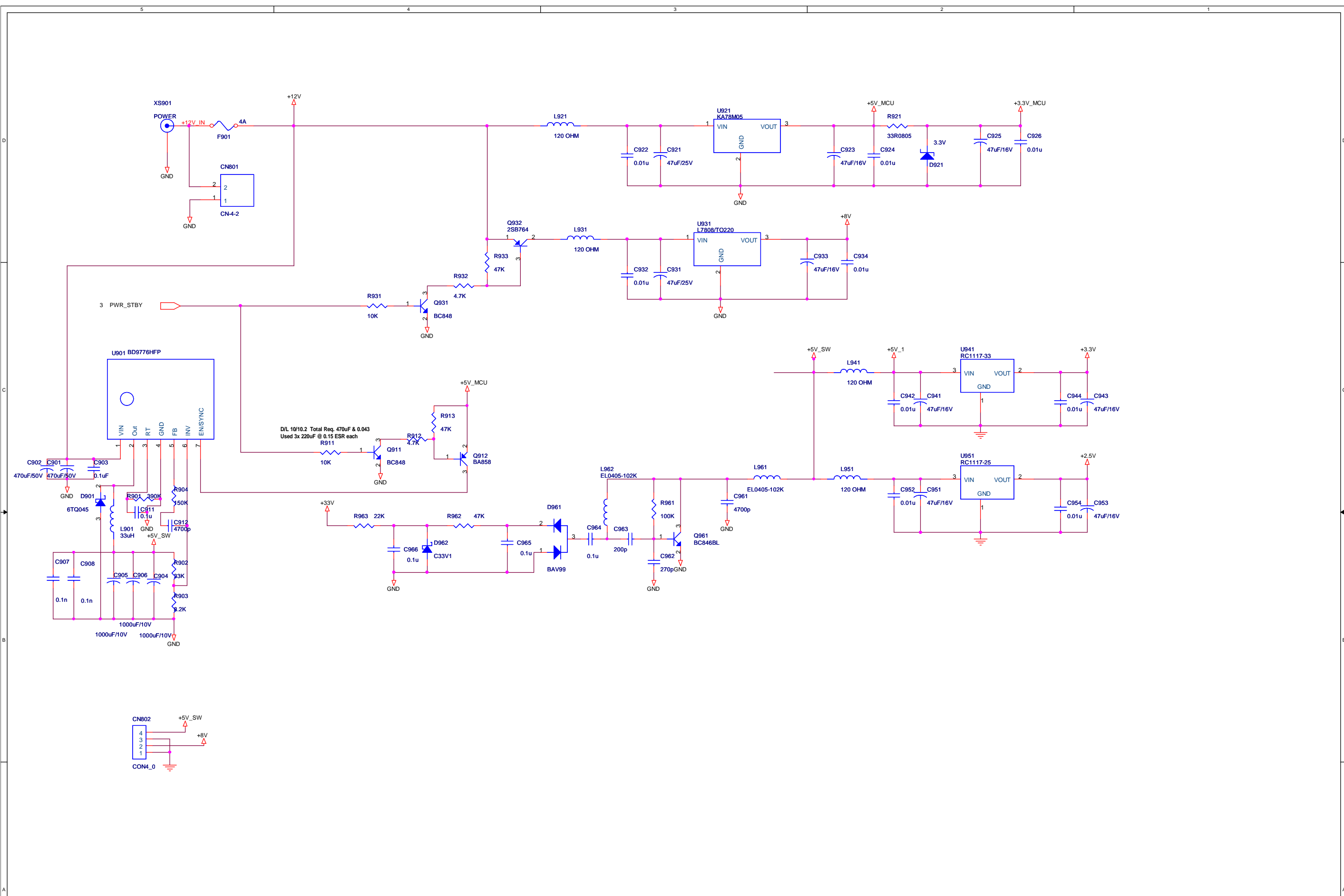
Title		
7.RMT_KEY		
Size	Document Number	Rev
A4	<Doc>	<RevCode>
Date:	Friday, October 21, 2005	Sheet 7 of 9



TO NICAM BOARD

SURE111

Title		8.NIC_AM	
Size	C	Document Number	<Doc>
Date:	Friday, October 21, 2005	Sheet	8 of 9
Rev	<Rev Code>		



SURE!!!

Title		
9.POWER		
Size	Document Number	Rev
C	MT1518TL	a
Date:	Friday, October 21, 2005	Sheet 9 of 9